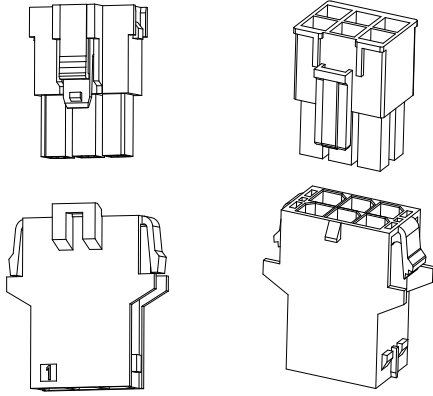
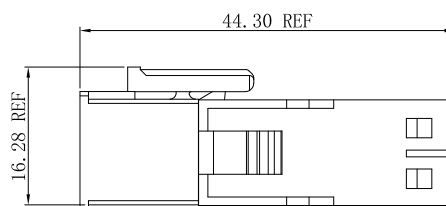
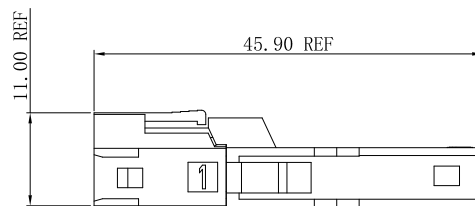


Specifications

- Voltage rating: 600V AC, DC
- Current Rating: 26A, AC, DC
- Withstand voltage: 2200V AC/minute
- Contact resistance: 10mΩ max
- Insulation resistance: 1000MΩ min
- Temperature range: -40°C ~ +105°C
- Compliant with RoHS and REACH
- Contact JVT for details



Assembly layout



JVT5700 SERIES

5.7mm pitch wire towire connector

JVT5700H

5.7mm Pitch housing

HOUSING

Part No. : JVT5700HNO-XXBK

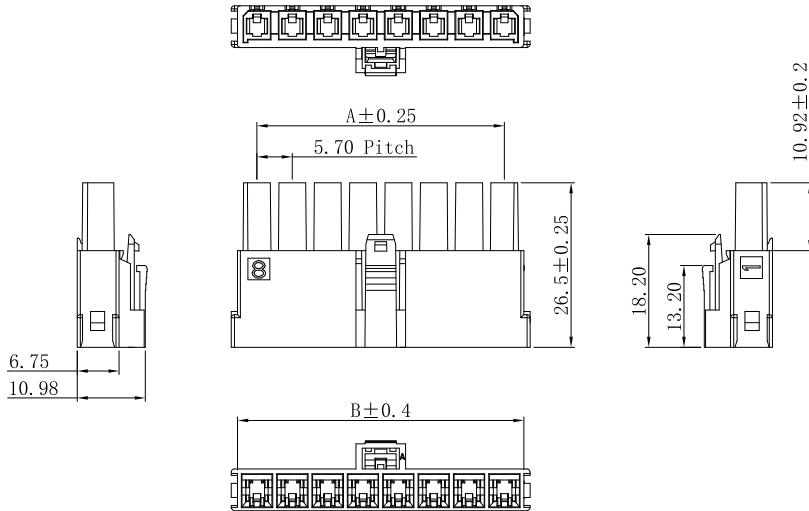
Material: PA66 UL94V-0

Mates With Part(s) : JVT5700 Terminal

JVT5700HNO-XXBK

Logo
Series NO.
Housing

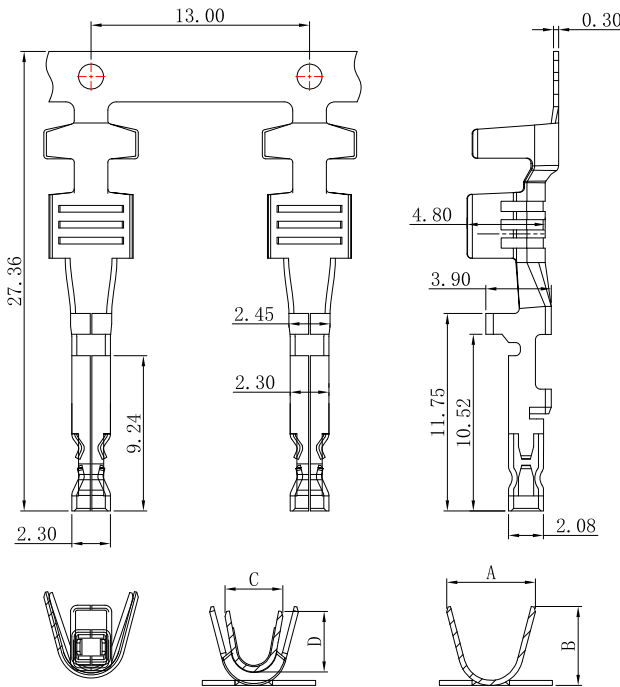
BK-Black
Pin NO.
PA66 UL94V-0



PIN	A	B
02	5.70	12.05
03	11.40	17.75
04	17.10	23.45
05	22.80	29.15
06	28.50	34.85
07	34.20	40.55
08	39.90	46.25

JVT5700T

5.7mm Pitch Crimp Terminal



JVT5700TP-SNSX

Logo
Series NO.
T-Terminal
TP-Phosphor Bronze

L-Low foot
H-High Feet
S-Stamping
before Plating
SN-Tin Plated

Wire size		N			
AWG	Max Ins Dia	2	4	6	8~12
#12, 4mm ²	4.11mm	23	20	18	16
#14, 2.5mm ²	3.75mm	21	17	15	13
#16, 1.5mm ²	3.18mm	17	15	13	12
Part NO	Wire range	DIM A	DIM B	DIM C	DIM D
JVT5700TCZ-SNSL	#14~#16	5.20	4.65	3.40	3.55
JVT5700TCZ-SNSH	#12	5.60	5.15	5.00	4.80

JVT5700TCZ-SNSX	Cu-Cr-Zr	Tin Plated	AWG#12~16	4.11mm (Max)	JVT5700H HOUSING
PART NO	Material	Finish(Pin)	Wire Range	Insulation O.D.	Mates With Part(s)

JVT5700 SERIES

5.7mm pitch wire to wire connector

JVT5700H

5.7mm Pitch housing

HOUSING

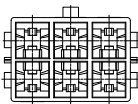
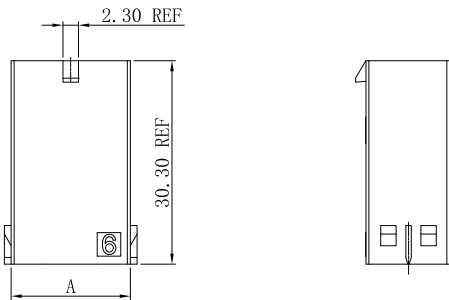
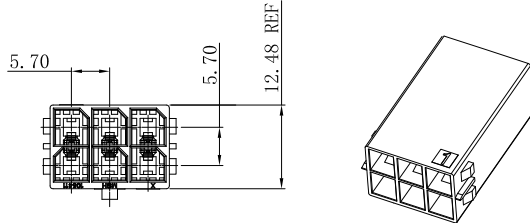
Part No. : JVT5700HN0-2*XXBK

Material: PA66 UL94V-0

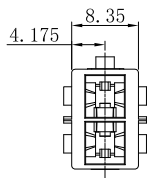
Mates With Part(s): JVT5700 Terminal

JVT5700HN0-2*XXBKW

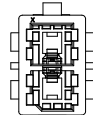
Logo
Series NO.
Housing
PA66 UL94V-0
W-Female
BK-Black
Pin NO.



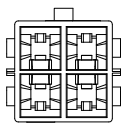
PIN No.	DIM A
2X01	8.35
2X02	12.05
2X03	17.75
2X04	23.45
2X05	29.15
2X06	34.85



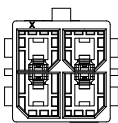
2x01PIN



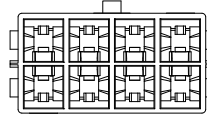
2x02PIN



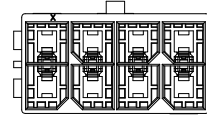
2x03PIN



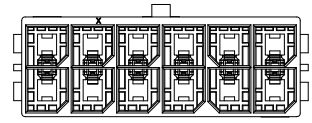
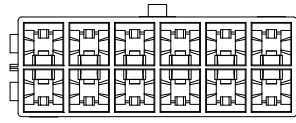
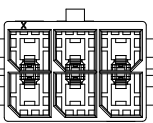
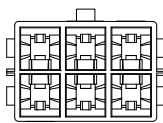
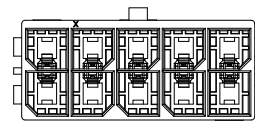
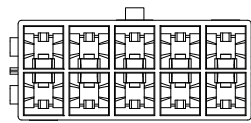
2x04PIN



2x05PIN



2x06PIN



JVT5700 SERIES

5.7mm pitch wire to wire connector

JVT5700H

5.7mm Pitch housing

HOUSING

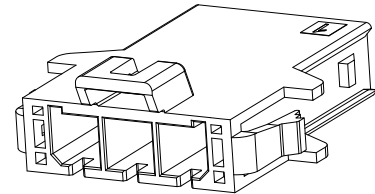
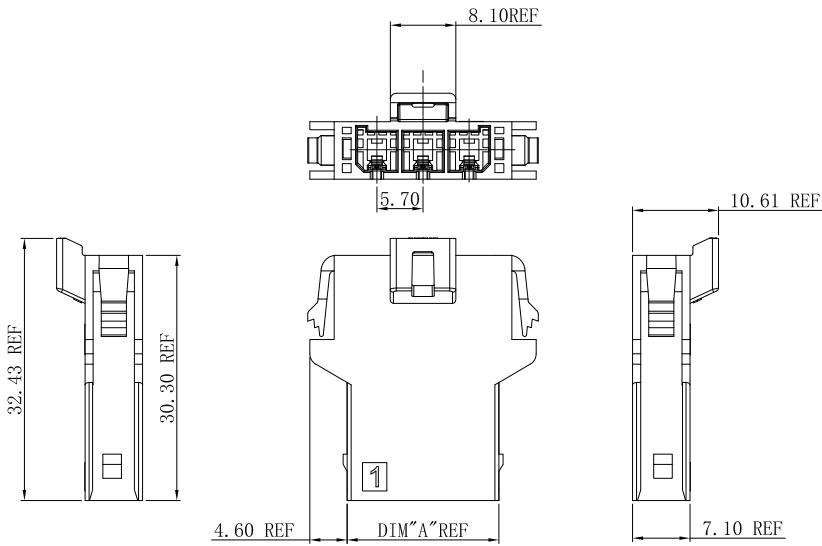
Part No. : JVT5700HNO-XXBKLW

Material: PA66 UL94V-0

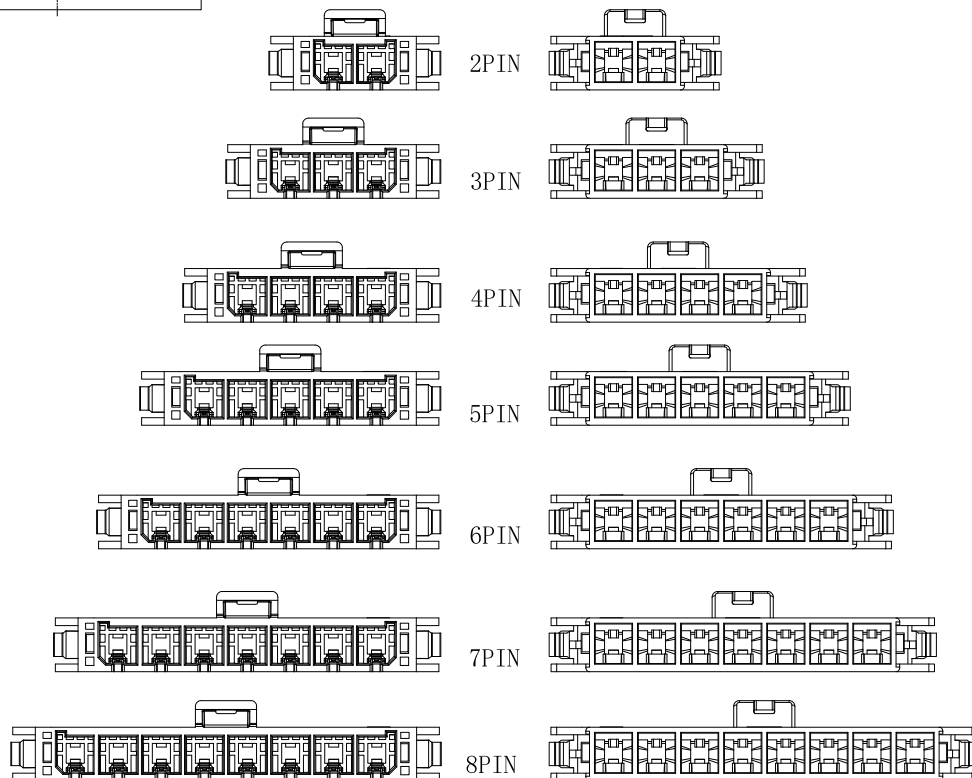
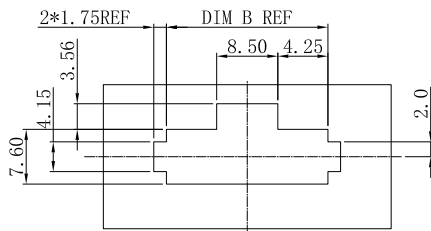
Mates With Part(s): JVT5700 Terminal

JVT5700HNO-XXBKLW

Logo
Series NO.
Housing
PA66 UL94V-0
W-Female
With Lock
BK-Black
Pin NO.



CKT	DIM "A"	DIM "B"
02	13.05	16.75
03	18.75	22.45
04	24.45	28.15
05	30.15	33.85
06	35.85	39.55
07	41.55	45.25
08	47.25	50.95



JVT5700 SERIES

5.7mm pitch wire to wire connector

JVT5700H

5.7mm Pitch housing

HOUSING

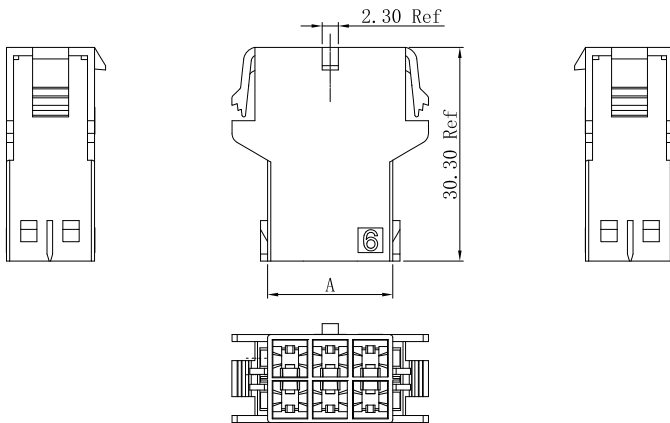
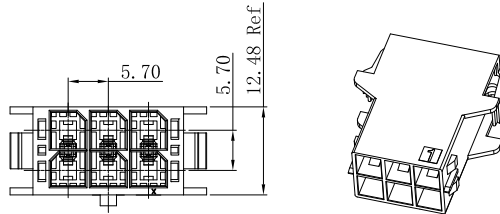
Part No. : JVT5700HNO-2*XXBKLW

Material: PA66 UL94V-0

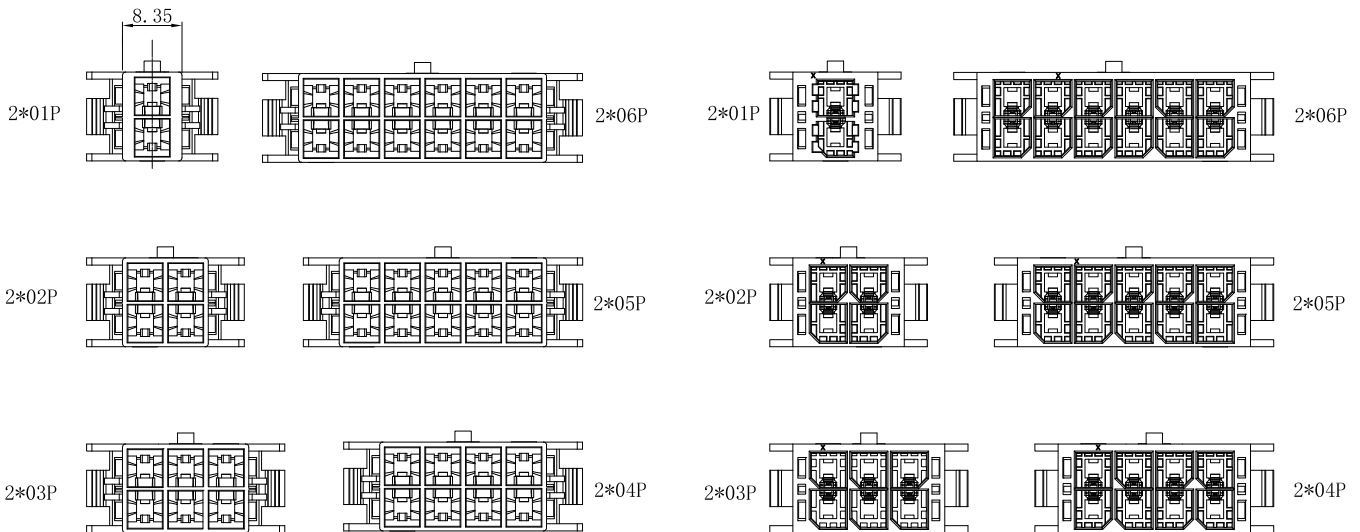
Mates With Part(s) : JVT5700 Terminal

JVT5700HNO-2*XXBKLW

Logo
Series NO.
Housing
PA66 UL94V-0
W-Female
With Lock
BK-Black
Pin NO.



CKT	DIM A	DIM B
2*01	8.35	12.45
2*02	12.05	16.15
2*03	17.75	21.85
2*04	23.45	27.55
2*05	29.15	33.25
2*06	34.85	38.95



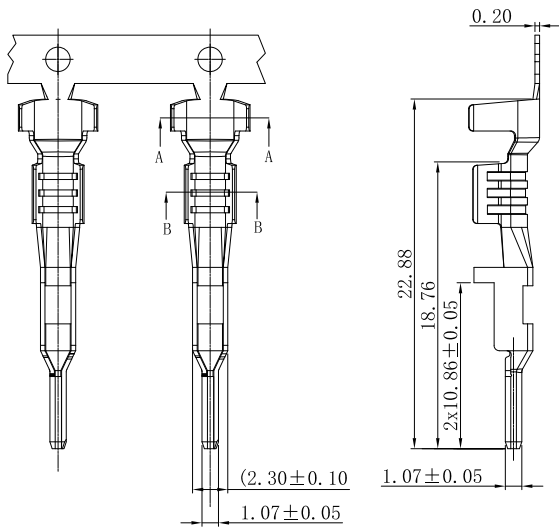
POLARIZATION LAYOUT

JVT5700 SERIES

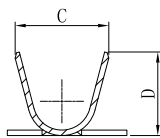
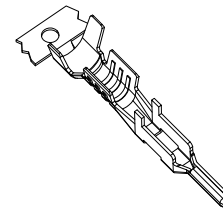
5.7mm pitch wire to wire connector

JVT5700T

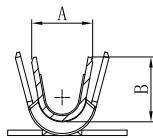
5.7mm Pitch Crimp Terminal



JVT5700TP-SNSMXX
 Logo
 Series NO.
 T-Terminal
 TP-Phosphor Bronze
 SN-Tin Plated
 Blank-#14~#16
 H1-#12
 H2-#10
 M-Male Terminal
 S-Stamping before Plating



SECTION A-A



SECTION B-B

Wire range	Dimentional			
	A	C	B	D
#14 ~ #16 AGW	3.40	3.57	5.20	4.64
#12	5.00	4.80	5.60	5.15
#10	5.40	4.50	6.04	5.50

JVT5700TP-SNSMXX	Phosphor Bronze	Tin Plated	AWG#10~16	4.06mm(Max)	JVT5700H HOUSING
PART NO	Material	Finish(Pin)	Wire Range	Insulation O.D.	Mates With Part(s)